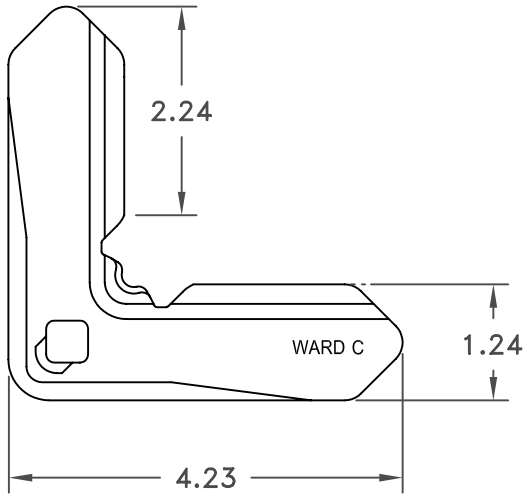


# WARD CONNECTOR

## C Corner and F Corner FOR USE WITH TDC AND TDF DUCT FLANGE

CNR

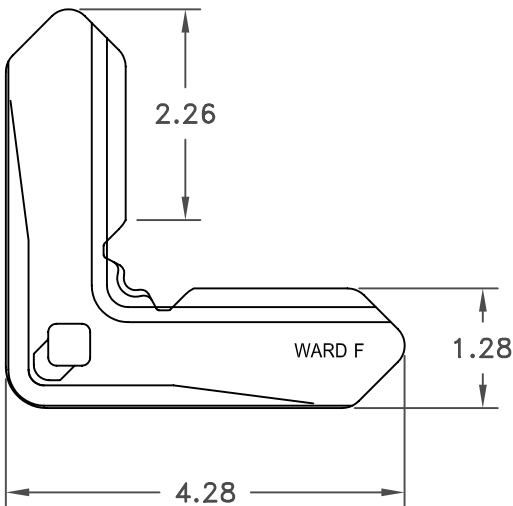


**C Corner**



### SPECIFICATIONS:

1. C corner formed from 16 gauge metal
2. F corner formed from 16 gauge metal



**F Corner**



### NOTES:

1. Use C corners with TDC flange.
2. Use F corners with TDF flange.
3. C corners are available in the following:
  - Galvanized
  - Galvaneal
  - Aluminum
  - Aluminized
  - Stainless Steel
4. F corners are available in the following:
  - Galvanized
  - Galvaneal
  - Aluminum
  - Aluminized
  - Stainless Steel

JOB NAME: _____	SUBMITTED BY: _____
LOCATION: _____	
ARCHITECT: _____	
ENGINEER: _____	
CONTRACTOR: _____	



500 E. Eighth Street • Holland, MI 49423  
T (800) 466-9374 • F (866) 466-9335 • www.wardind.com