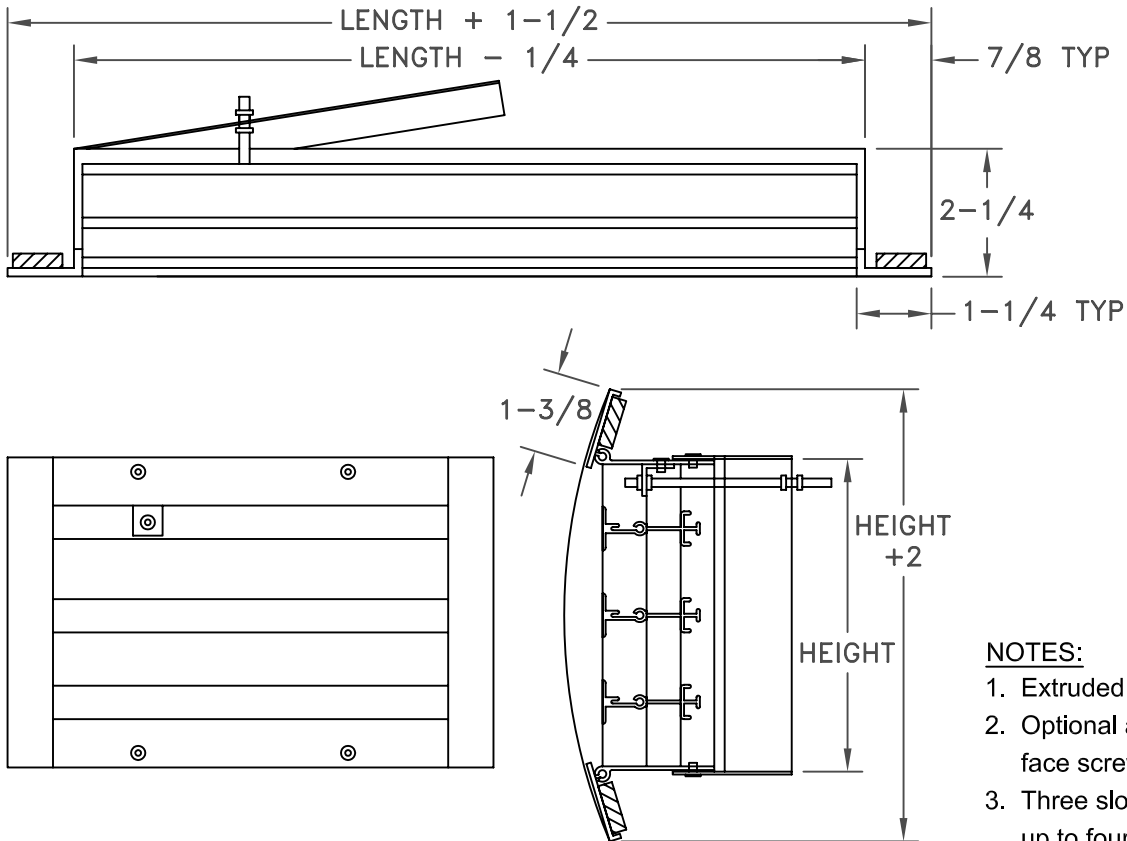


WARD DIFFUSER

Spiral Duct Diffuser

Slot

WSS



NOTES:

1. Extruded aluminum construction.
2. Optional air scoop with face screw adjustment.
3. Three slot widths and up to four slots.
4. For 6 inch to 30 inch diameter duct.
5. 6 inch increments of length to 48 inches.
6. Larger sizes available upon request.
7. Gaskets on margins.
8. Finish is white (W) enamel or satin anodized (SA).

SLOT WIDTH	HEIGHT/MINIMUM DUCT DIAMETER			
	NUMBER OF SLOTS			
	1	2	3	4
50 (1/2")	1.75/6	3.00/8	4.25/12	5.50/16
75 (3/4")	2.00/6	3.50/10	5.00/14	6.50/22
10 (1")	2.25/6	4.00/12	5.75/16	7.50/28

JOB NAME: _____	SUBMITTED BY: _____
LOCATION: _____	
ARCHITECT: _____	
ENGINEER: _____	
CONTRACTOR: _____	



500 E. Eighth Street • Holland, MI 49423
 T (800) 466-9374 • F (866) 466-9335 • www.wardind.com