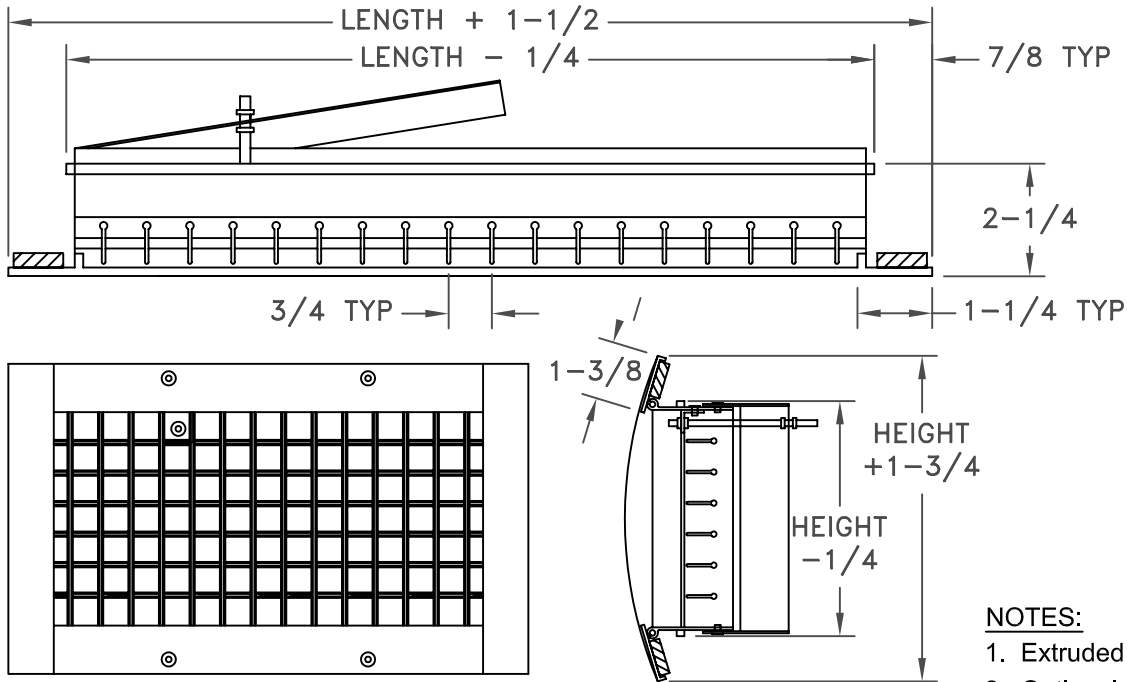


WARD DIFFUSER

**WSV
WSVH**

Spiral Duct Diffuser Single and Double Deflection



NOTES:

1. Extruded aluminum construction.
2. Optional air scoop with face screw adjustment.
3. Adjustable blades.
4. Single (Vertical) and Double (Vertical & Horizontal) deflection.
5. Minimum size 10 x 3, Maximum size 36 x 12, See chart below.
6. Larger sizes available upon request.
7. Gaskets on margins.
8. Finish is white (W) enamel or satin anodized (SA).

MINIMUM/MAXIMUM DUCT DIAMETER

HEIGHT	LENGTH								
	10	12	14	16	18	20	24	30	36
3	6/16	6/16	~	~	~	~	~	~	~
4	8/16	8/16	8/16	~	~	~	~	~	~
6	10/28	10/28	10/28	10/28	10/28	10/28	10/28	~	~
8	~	~	14/30	14/30	14/30	14/30	14/30	14/30	~
10	~	~	~	16/30	16/30	16/30	16/30	16/30	~
12	~	~	~	~	18/30	18/30	18/30	18/30	18/30

JOB NAME: _____	SUBMITTED BY: _____
LOCATION: _____	
ARCHITECT: _____	
ENGINEER: _____	
CONTRACTOR: _____	



500 E. Eighth Street • Holland, MI 49423
T (800) 466-9374 • F (866) 466-9335 • www.wardind.com