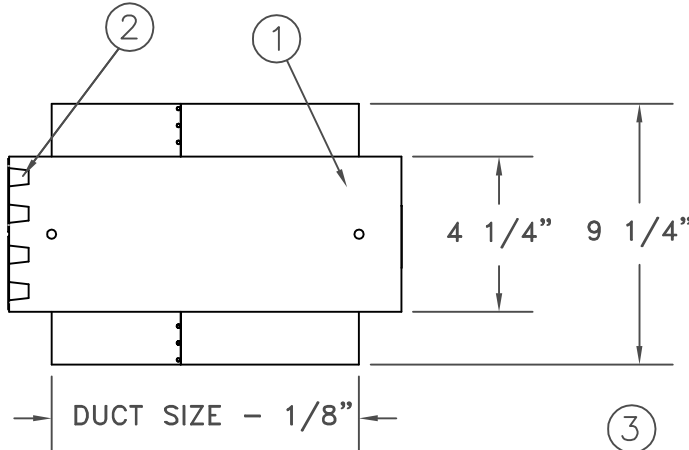


WARD FIRE DAMPER

Curtain Style Fire Damper

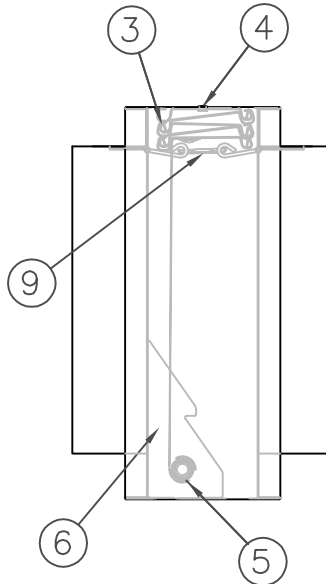
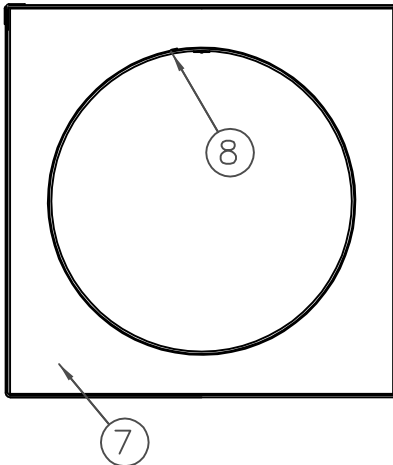
1-1/2 HOUR U.L. LABELED FOR USE IN 2 HOUR FIRE SEPARATIONS OR LESS

75VC
75HC



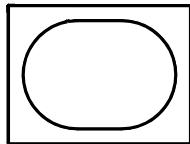
SPECIFICATIONS:

1. Rollformed 22 gauge steel frame
2. Self locking corner
3. Interlocking 22 gauge steel blade
4. Top blade riveted to frame
5. Stainless steel closure spring (HC)
6. Blade lock ramp (HC)
7. Escutcheon plate
8. Collar (round, oval, or rectangular)
9. Fusible link
 - 165° - Standard
 - 212° - Optional
 - 286° - Optional

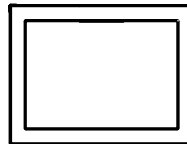


NOTES:

1. Tested to UL 555: File R16475.
2. Meets requirements of NFPA 90A.
3. Listed with California State Fire Marshal: Listing #3225-1577:100.
4. Vertical (VC) or horizontal (HC) models.
5. Maximum single unit size:
Vertical: 58"x53"
Horizontal: 58" x 53"
6. Standard construction is galvanized steel. Contact factory for availability of other materials.
7. Reference 75/105 Series sizing chart for damper sizing (separate).
8. For installation instructions see 75 Series Installation Instructions.



Type CO



Type CR

JOB NAME: _____ LOCATION: _____ ARCHITECT: _____ ENGINEER: _____ CONTRACTOR: _____	SUBMITTED BY: _____
--	---------------------------------



5030 Corporate Exchange Blvd SE • Grand Rapids MI 49512
 T (800) 624-8642 • F (800) 972-1421 • www.wardind.com