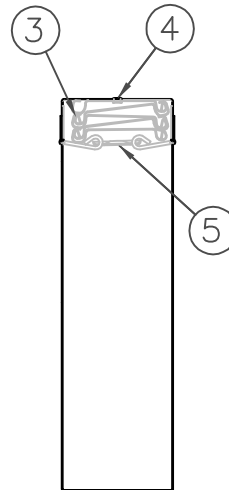
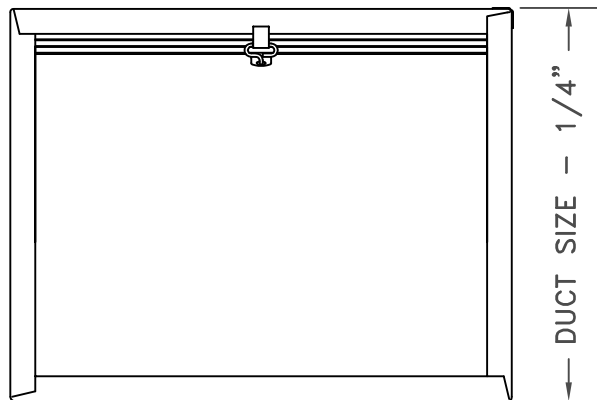
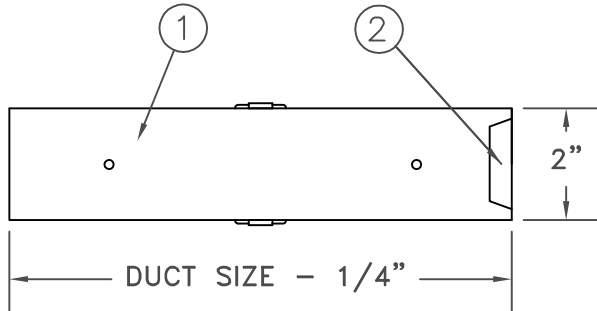


WARD FIRE DAMPER

Thinline Curtain Style Fire Damper

3 HOUR U.L. LABELED FOR USE IN 4 HOUR FIRE SEPARATIONS OR LESS

95VA



SPECIFICATIONS:

1. Rollformed 22 gauge steel frame
2. Self locking corner
3. Interlocking 22 gauge steel blade
4. Top blade riveted to frame
5. Fusible link
165° - Standard
212° - Optional
Others may be available upon request

NOTES:

1. Tested to UL 555: File R16475.
2. Meets requirements of NFPA 90A.
3. Listed with California State Fire Marshal: Listing #3225-1577:100.
4. Vertical (VA) models only.
5. Maximum single unit size:
Vertical: 48"x49"
6. Galvanized steel construction.
7. Reference 85/95 Series sizing chart for damper sizing (separate).
8. For installation instructions see 95 Series Installation Instructions.

JOB NAME: _____
LOCATION: _____
ARCHITECT: _____
ENGINEER: _____
CONTRACTOR: _____

SUBMITTED BY: _____

WARD[™]
INDUSTRIES

5030 Corporate Exchange Blvd SE • Grand Rapids MI 49512
T (800) 624-8642 • F (800) 972-1421 • www.wardind.com