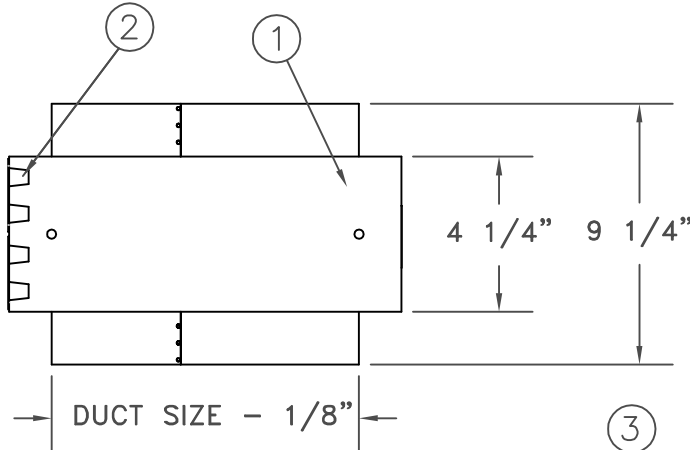


WARD FIRE DAMPER

Curtain Style Fire Damper

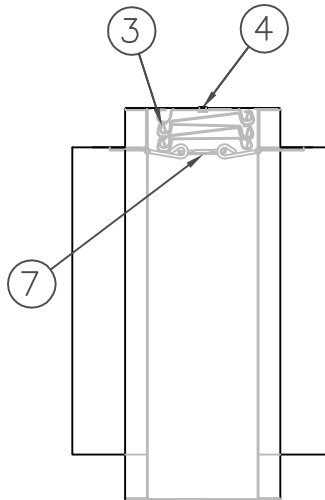
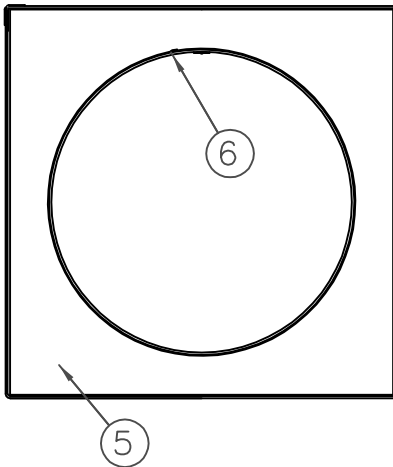
3 HOUR U.L. LABELED FOR USE IN 4 HOUR FIRE SEPARATIONS OR LESS

105VC



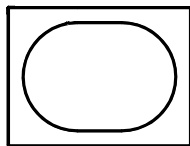
SPECIFICATIONS:

1. Rollformed 22 gauge steel frame
2. Self locking corner
3. Interlocking 22 gauge steel blade
4. Top blade riveted to frame
5. Escutcheon plate
6. Collar (round, oval, or rectangular)
7. Fusible link
165° - Standard
212° - Optional
Others may be available upon request

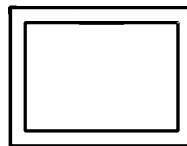


NOTES:

1. Tested to UL 555: File R16475.
2. Meets requirements of NFPA 90A.
3. Listed with California State Fire Marshal: Listing #3225-1577:100.
4. Vertical (VC) models only.
5. Maximum single unit size:
Vertical: 58"x42"
6. Galvanized steel construction.
7. Reference 75/105 Series sizing chart for damper sizing (separate).
8. For installation instructions see 105 Series Installation Instructions.



Type CO



Type CR

JOB NAME: _____ LOCATION: _____ ARCHITECT: _____ ENGINEER: _____ CONTRACTOR: _____	SUBMITTED BY: _____
--	---------------------------------



5030 Corporate Exchange Blvd SE • Grand Rapids MI 49512
 T (800) 624-8642 • F (800) 972-1421 • www.wardind.com