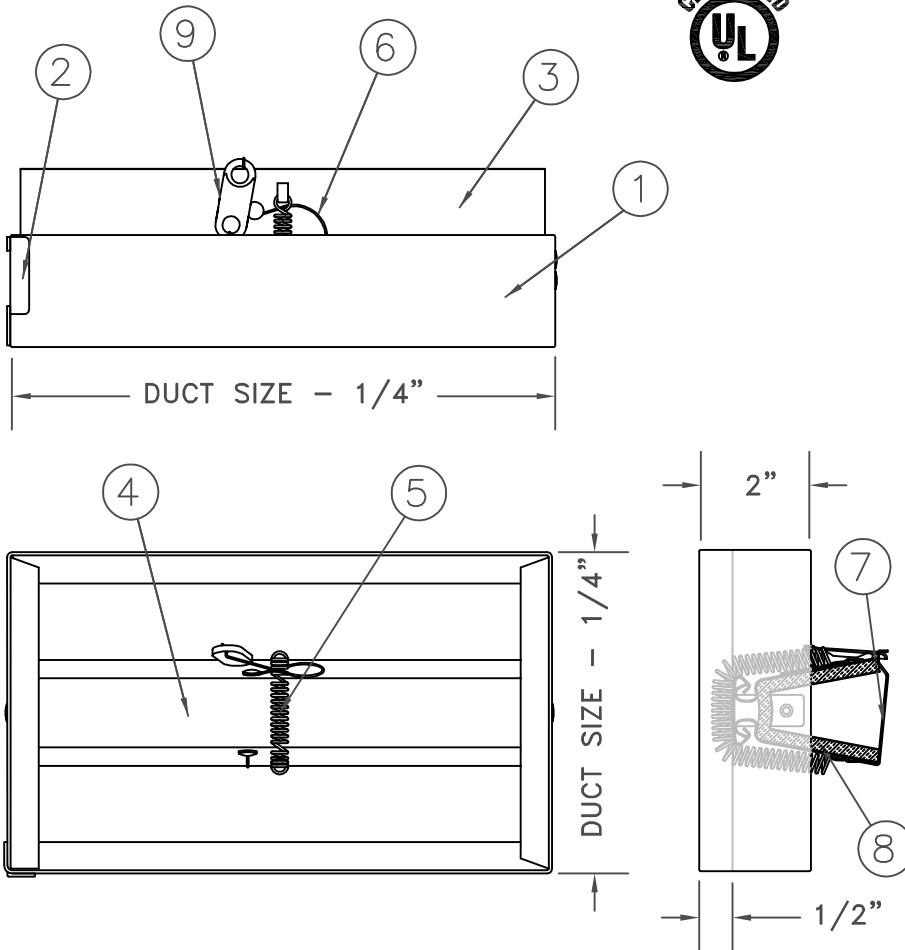


# WARD FIRE DAMPER

## Ceiling Radiation Damper

FOR USE IN 3 HOUR RATED FIRE SEPARATIONS OR LESS

50EA



### SPECIFICATIONS:

1. Rollformed 22 gauge steel frame
2. Self locking corner
3. Rollformed 22 gauge steel blade
4. Rollformed 22 gauge steel hinge
5. Steel extension spring
6. Stainless steel link hook
7. Stainless steel link latch
8. Thermal insulation and scrim
9. Fusible link
  - 165° - Standard
  - 212° - Optional

### NOTES:

1. Tested to UL 555C: File R16579. Reference CRD-Boot submittal for further listings (separate).
2. Meets requirements of NFPA 90A.
3. Listed with California State Fire Marshal: Listing #3225-1577:101.
4. Minimum size: 4"x4"  
Maximum size: 24"x24"
5. Galvanized steel construction.
6. Dimensions are determined by blade length (hinge dimension), then by blade width.
7. Two springs are used on dampers with blades greater than 14" long.
8. Insulation and scrim is required on dampers over 80 in<sup>2</sup> in area.
9. Reference 50 Series sizing chart for damper sizing (separate).
10. For installation instructions see 50 Series Installation Instructions.

JOB NAME: _____ LOCATION: _____ ARCHITECT: _____ ENGINEER: _____ CONTRACTOR: _____	SUBMITTED BY: _____   
--	---------------------------------



5030 Corporate Exchange Blvd SE • Grand Rapids MI 49512  
 T (800) 624-8642 • F (800) 972-1421 • www.wardind.com