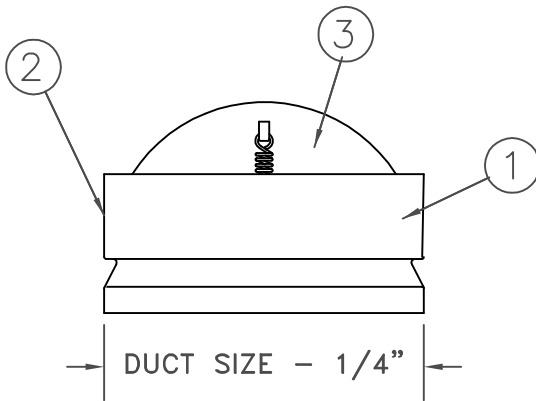


WARD FIRE DAMPER

Ceiling Radiation Damper

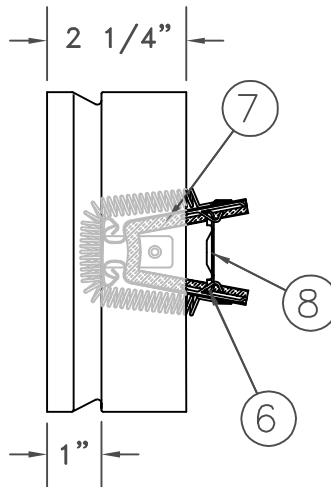
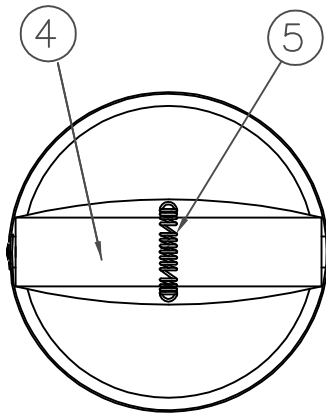
FOR USE IN 3 HOUR RATED FIRE SEPARATIONS OR LESS

55LP



SPECIFICATIONS:

1. Rollformed 22 gauge steel frame
2. Spot welded seam
3. Rollformed 22 gauge steel blade
4. Rollformed 22 gauge steel hinge
5. Steel extension spring
6. Steel link plate
7. Thermal insulation and scrim
8. Fusible link
 - 165° - Standard
 - 212° - Optional



NOTES:

1. Tested to UL 555C: File R16579. Reference CRD-Boot submittal for further listings (separate).
2. Meets requirements of NFPA 90A.
3. Listed with California State Fire Marshal: Listing #3225-1577:101.
4. Minimum size: 4" diameter
Maximum size: 24" diameter
5. Galvanized steel construction.
6. Two springs are used on dampers with blades greater than 14" long.
7. Insulation and scrim is required on dampers over 80 in² in area.
8. Reference 55 Series sizing chart for damper sizing (separate).
9. For installation instructions see 55 Series Installation Instructions.

JOB NAME: _____ LOCATION: _____ ARCHITECT: _____ ENGINEER: _____ CONTRACTOR: _____	SUBMITTED BY: _____
--	---------------------------------



5030 Corporate Exchange Blvd SE • Grand Rapids MI 49512
 T (800) 624-8642 • F (800) 972-1421 • www.wardind.com