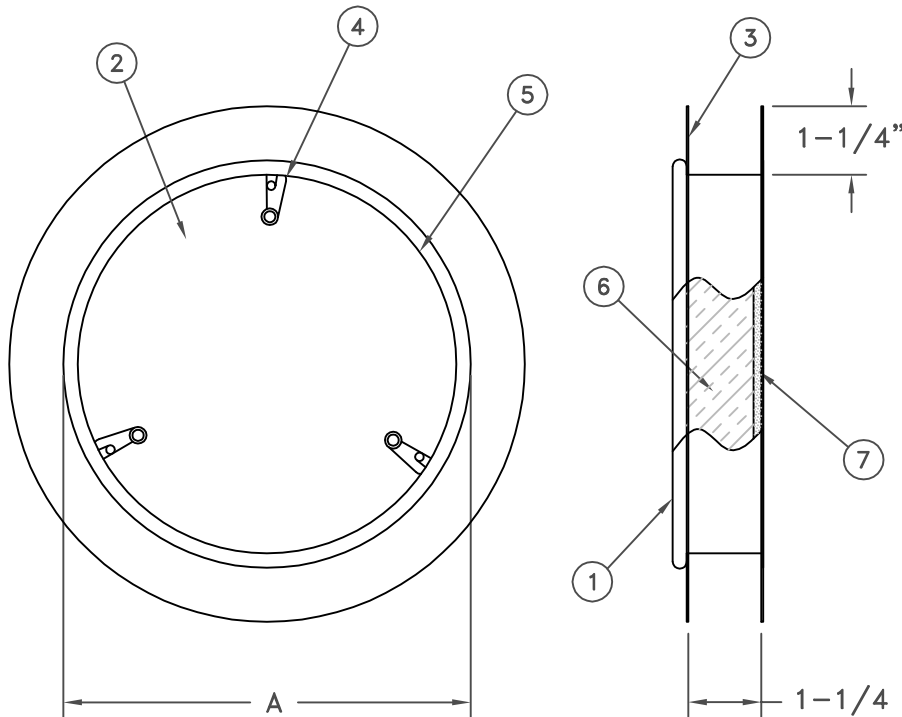


WARD ACCESS DOOR

Spin In Style Access Door

For Flat Duct Board Ductwork

DSP DB



SPECIFICATIONS:

1. Frame formed from 22 GA metal
2. Door formed from 24 GA metal
3. Spin flange formed from 24 GA metal
4. Latch
5. Latch groove
6. Fiberglass insulation
7. Closed cell neoprene gasket

NOTES:

1. Available in galvanized steel. Contact factory for availability of other materials.
2. Available for duct board duct applications.
3. Insulation R-value of 3 (estimate).
4. Reference chart for sizes.

DOOR SIZE A	MINIMUM HOLE CUT SIZE *
8	7-1/8
10	9-1/8
12	11-1/8
18	17-1/8
24	23-1/8

* TOLERANCE +1/32

JOB NAME: _____	SUBMITTED BY: _____
LOCATION: _____	
ARCHITECT: _____	
ENGINEER: _____	
CONTRACTOR: _____	

WARD[™]
INDUSTRIES

5030 Corporate Exchange Blvd SE • Grand Rapids MI 49512
T (800) 624-8642 • F (800) 972-1421 • www.wardind.com