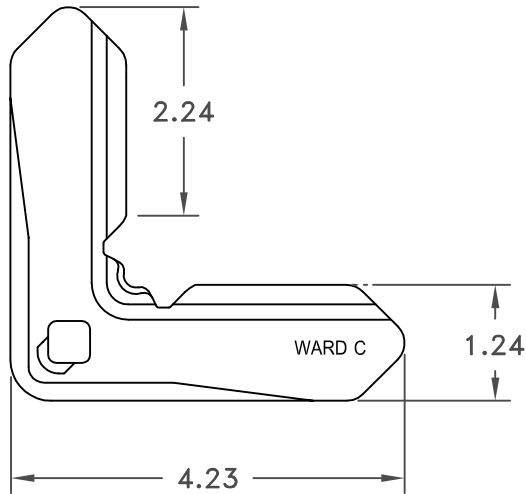


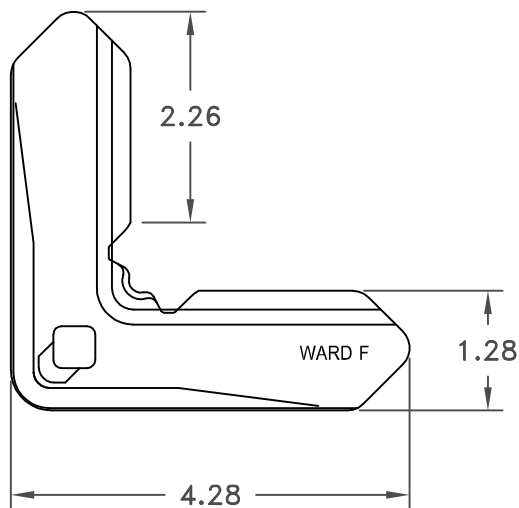
# WARD CONNECTOR

**C Corner and F Corner**  
FOR USE WITH TDC AND TDF DUCT FLANGE

**CNR**



**C Corner**



**F Corner**

SPECIFICATIONS:

1. C corner formed from 16 gauge metal
2. F corner formed from 16 gauge metal

NOTES:

1. Use C corners with TDC flange.
2. Use F corners with TDF flange.
3. C corners are available in the following:
  - Galvanized
  - Galvaneal
  - Aluminum
  - Aluminized
  - Stainless Steel
4. F corners are available in the following:
  - Galvanized
  - Galvaneal
  - Aluminum
  - Aluminized
  - Stainless Steel

JOB NAME: \_\_\_\_\_  
LOCATION: \_\_\_\_\_  
ARCHITECT: \_\_\_\_\_  
ENGINEER: \_\_\_\_\_  
CONTRACTOR: \_\_\_\_\_

SUBMITTED BY: \_\_\_\_\_

**WARD**<sup>™</sup>  
**INDUSTRIES**

5030 Corporate Exchange Blvd SE • Grand Rapids MI 49512  
T (800) 624-8642 • F (800) 972-1421 • www.wardind.com