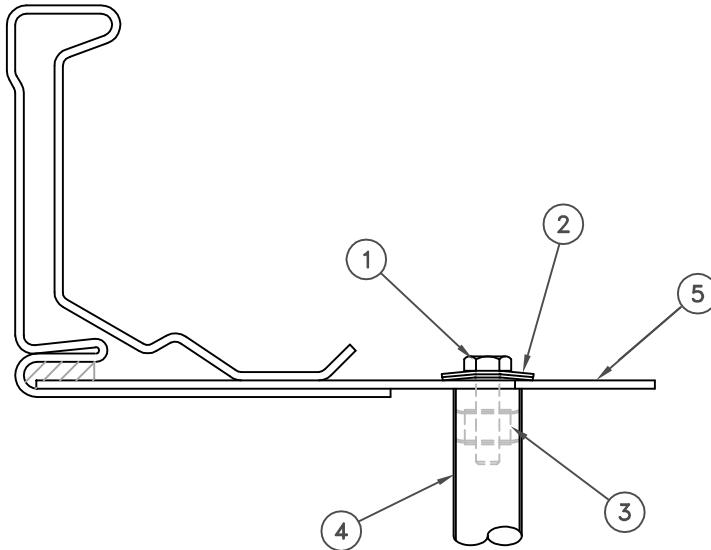


# WARD HARDWARE

## Rod Lock Tie Rod Installation Fasteners

H RL

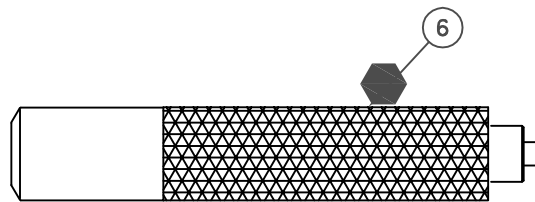


### SPECIFICATIONS:

1. Zinc plated grade 5 bolt
2. Zinc plated washer with neoprene gasket
3. Zinc plated nut with spring steel seat plates
4. Thin wall conduit (not included)
5. Duct wall
6. Rod lock tool

### NOTES:

1. Quick and easy installation of Tie Rods with no sealant required.
2. Available in 1/2" and 3/4".
3. Use for both joint tie rods or center tie rods.
4. Consult SMACNA Duct Construction Standards for application specifications.
5. Pull tested to over 1900 lbs.
6. Use Rod Lock Tool for easy installation.



JOB NAME: \_\_\_\_\_  
LOCATION: \_\_\_\_\_  
ARCHITECT: \_\_\_\_\_  
ENGINEER: \_\_\_\_\_  
CONTRACTOR: \_\_\_\_\_

SUBMITTED BY: \_\_\_\_\_

**WARD**<sup>™</sup>  
**INDUSTRIES**

5030 Corporate Exchange Blvd SE • Grand Rapids MI 49512  
T (800) 624-8642 • F (800) 972-1421 • www.wardind.com