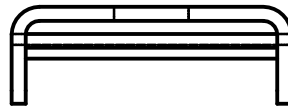
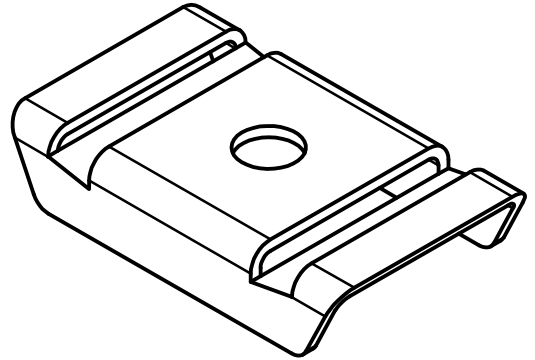
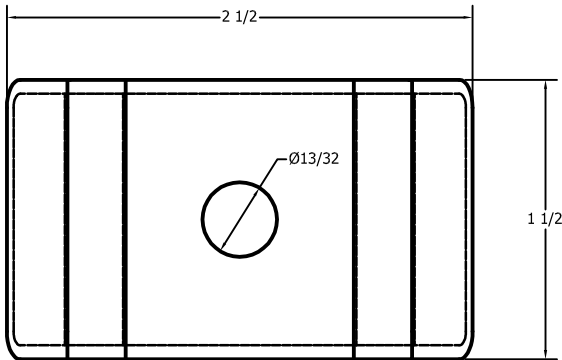
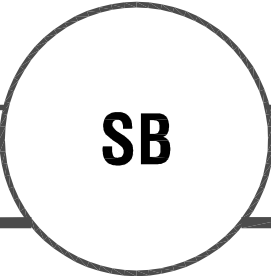


WARD HARDWARE

CIRCULAR DUCT SUPPORTS
Standard 1" hanger strap encircles the duct.



JOB NAME: _____	SUBMITTED BY: _____
LOCATION: _____	
ARCHITECT: _____	
ENGINEER: _____	
CONTRACTOR: _____	