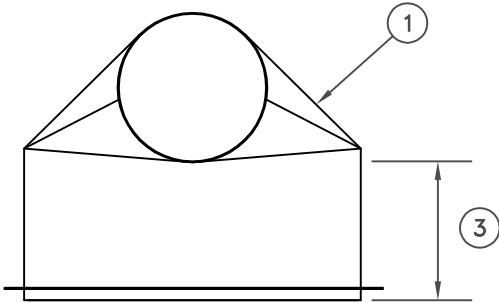


# WARD FIRE DAMPER

## CRD and Boot Assembly

FOR USE WITH MODEL 50 CRDs

# CRD B

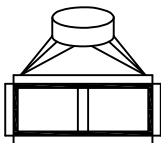
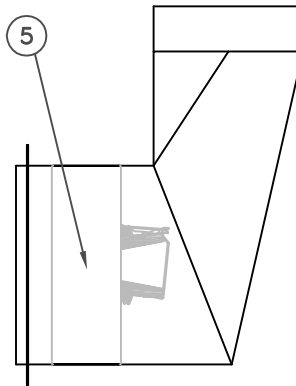
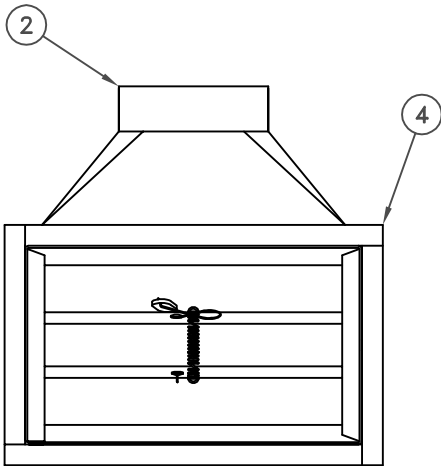


### SPECIFICATIONS:

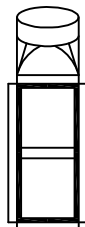
1. Galvanized steel construction
2. Collar
3. Throat
4. Flange
5. Ceiling Radiation Damper

### NOTES:

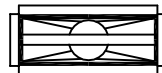
1. Available in the following styles:
  - End boot
  - Ell Boot
  - Straight boot
2. Available in collars ranging from 4" to 10".
3. Available with a 4", 6" or 8" throat.
4. Available with or without a flange.
5. Contact factory for availability of other sizes or styles.
6. For installation instructions see Model 50 Installation Instructions.
7. CRD is UL Classified to UL555C as 3 hour or less heat barriers.
8. CRD is UL Listed for use in wood truss construction of type L555.
9. Factory assembled to ensure proper fit and placement.
10. Eliminates the need for labor to install in the field.



90° BOOT



END BOOT



STRAIGHT BOOT

JOB NAME: _____	SUBMITTED BY: _____
LOCATION: _____	
ARCHITECT: _____	
ENGINEER: _____	
CONTRACTOR: _____	