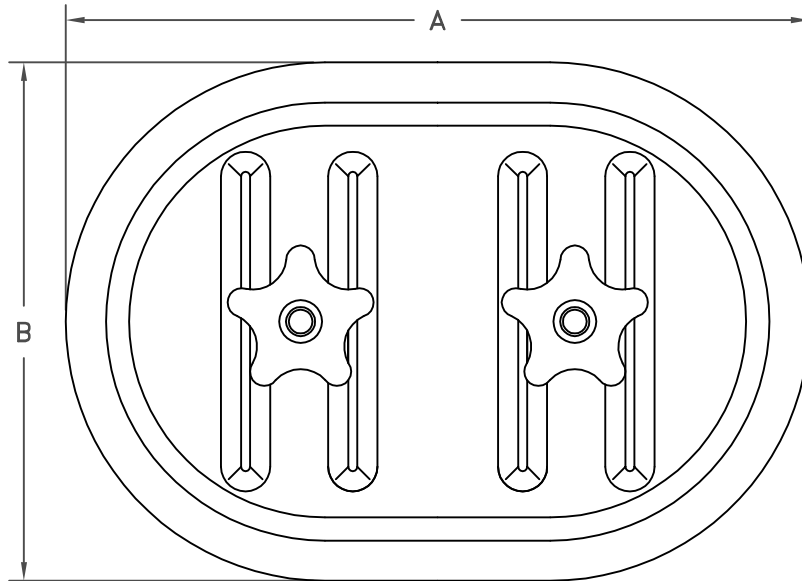


WARD ACCESS DOOR

Sandwich Style Access Door

For Round Single Wall Ductwork

DSA

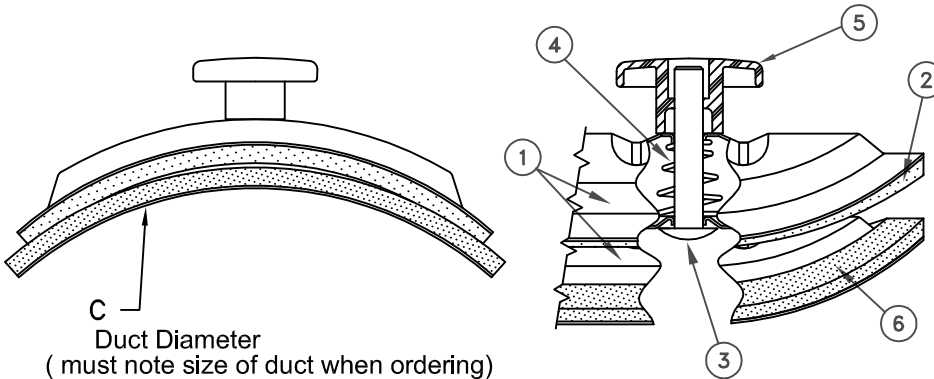


SPECIFICATIONS:

1. Formed 20 gauge metal plates
2. Polyfoam insulation
3. Steel bolt
4. Steel compression springs
5. Polypropylene knobs with threaded metal inserts
6. Closed cell neoprene gasket

NOTES:

1. 10x6 and 16x12 are available in the following materials:
 - Galvanized
 - Stainless Steel
 - Aluminum
2. 8x4 is available in Galvanized
3. Contact factory for availability of other materials.
4. Self adhesive template included for accurate cut-out.
5. Tested to 20" S.P. with minimal leakage.
6. Reference chart for sizes. Order door for each duct dia.



C
Duct Diameter
(must note size of duct when ordering)

DOOR SIZES AVAILABLE					
8 X 4		10 X 6		16 X 12	
A	B	A	B	A	B
8.53	VARIES	10.40	VARIES	16.38	VARIES
C		C		C	
4 - 28		5 - 30		12 - 60	

JOB NAME: _____
 LOCATION: _____
 ARCHITECT: _____
 ENGINEER: _____
 CONTRACTOR: _____

SUBMITTED BY: _____

WARD[™]
INDUSTRIES

5030 Corporate Exchange Blvd SE • Grand Rapids MI 49512
 T (800) 624-8642 • F (800) 972-1421 • www.wardind.com