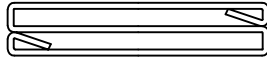


WARD CONNECTOR

Flat Slip and Standing Slip

For Flat Single Wall Ductwork

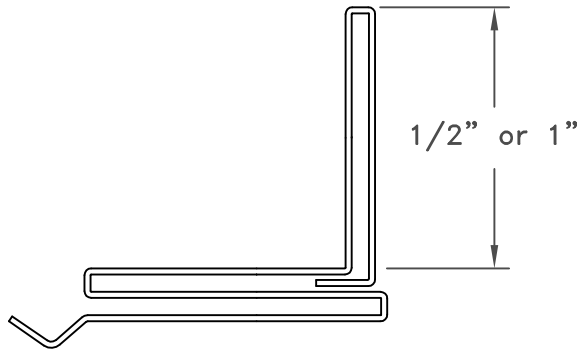
**SLF
SLS**



Flat Slip

SPECIFICATIONS:

1. Rollformed metal construction



Standing S Slip

NOTES:

1. Available in 5' and 10' lengths.
Contact factory for custom lengths.
2. Available in the following materials:
 - Galvanized
 - Aluminum
 - Stainless Steel
 Contact factory for availability of other materials.
3. Ideal for connecting lighter gauge ductwork.
4. Reference chart for product options.
5. Reference SMACNA Duct Construction Standards for approved applications.

Product Options	
Slip	22, 24, 26 GA
1/2" Standing S Slip	20, 22, 24, 26 GA
1" Standing S Slip	20, 22, 24, 26 GA

JOB NAME: _____	SUBMITTED BY: _____
LOCATION: _____	
ARCHITECT: _____	
ENGINEER: _____	
CONTRACTOR: _____	



5030 Corporate Exchange Blvd SE • Grand Rapids MI 49512
T (800) 624-8642 • F (800) 972-1421 • www.wardind.com